

# Elvi specs

**Compatible with every  
electric vehicle**

**Easy to install & upgrade  
with "click-on" features & modular build**

**Connected with WIFI for  
auto tracking of charging sessions**

**Fast, smart, simplistic,  
and future-proof**

**This is the only charger  
you'll ever need.**





### Electrical properties

<b>Charging capacity</b>	3.7kW, 7.4kW, 11kW, 22kW (upgradable 3.7kW - 22kW)
<b>Charge mode</b>	Mode 3 (EN/IEC 61851)
<b>Fixed cable type</b>	Type 1 (SAE J1772) or Type 2 (EN/IEC 62196-2) plug
<b>Number of fixed cables</b>	1
<b>Fixed cable length</b>	4 or 8 meter
<b>Connection capacity</b>	Selectable 1-phase or 3-phase, 230V – 400V, 16A and 32A (4-10 mm <sup>2</sup> wiring), 50-60 Hz
<b>Outpower power (via cable)</b>	Selectable 1-phase or 3-phase, 16A and 32A (upgradable 3.7kW - 22kW)
<b>Secondary power circuit</b>	12V DC
<b>Contactors</b>	2 x 40A, 2P, 12V coil current
<b>Required service panel breaker</b>	Minimum dedicated 1 or 3 phase 32A (32A station) or 1 or 3 phase 16A (16A station) upstream circuit breaker + additional residual current device, if required according to local regulations
<b>Metering</b>	Optional 3 phase S-Bus MID-certified kWh meter

### Safety & Certification

<b>Ground fault detection</b>	30 mA AC / 6 mA DC CCID
<b>Housing fire ratings</b>	UL94 V-0, US-FMVSS / ISO 3795 passed, DIN 53438 F1/K1
<b>Temperature range</b>	-25°C to +60°C (storage / operation)
<b>Operating humidity</b>	Max. 95% - non condensing
<b>Enclosure ratings</b>	IP54, IK10 (EN/IEC 60529)
<b>CE certified</b>	Yes
<b>Compliance</b>	NEN 1010, EN/IEC 61851-1, EN/IEC 61851-22, EN/IEC 60364-4-41, EN/IEC 62196-1, EN/IEC 60335-1
<b>EMI compliance</b>	FCC part 15 Class B

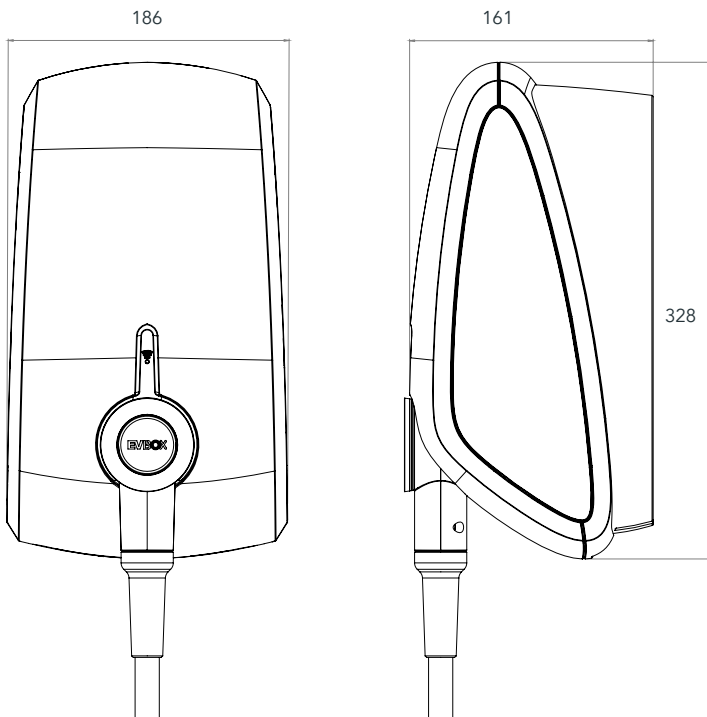
### Connectivity & Installation

<b>Authorization</b>	Auto START / Keyfob / RFID card - controller with RFID reader type Mifare Classic 13.56 MHz
<b>Status indication / HMI</b>	LED ring
<b>Communication standard</b>	WiFi 2.4/5 GHz (IEEE 802.11 a/b/g, IEEE 802.11 d/e/i/h) / Bluetooth 4.0
<b>Communication optional</b>	UMTS (EU/US/JPN)
<b>Communication protocol</b>	OCPP 1.5 S, 1.6 S, 1.6 J
<b>Positioning</b>	GPS / WiFi

### Physical properties

<b>Housing</b>	Polycarbonate
<b>Dimensions (mm)</b>	328 x 186 x 161 mm (LxWxH)
<b>Weight</b>	6kg - 1 phase 16A station with 4 meter charge cable 11 kg (max.) - 3 phase 32A station with 8 meter charge cable
<b>Mounting</b>	Wall
<b>Maximum installation height</b>	+2000m above sea level
<b>Standard colors</b>	Misty Black, Forest Green, Polar White

Dimensions in mm:



The present document is drawn up by way of information only and does not constitute an offer binding upon EVBox. EVBox has compiled the contents of this document to the best of its knowledge. No express or implied warranty is given for the completeness, accuracy, reliability or fitness for particular purpose of its content and the products and services presented therein. Specifications and performance data contain average values within existing specification tolerances and are subject to change without prior notice. Prior to ordering, always contact EVBox for the latest information and specification. EVBox explicitly rejects any liability for any direct or indirect damage, in the broadest sense, arising from or related to the use and/or interpretation of this document.  
EVBPI\_ELVI\_EN\_042017 © EVBox B.V.

EVBox B.V.  
Pedro de Medinalaan 31  
1086 XP Amsterdam  
The Netherlands  
support@evbox.com  
evbox.com